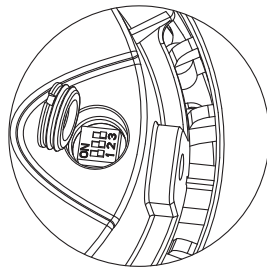
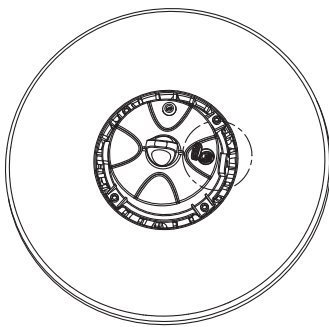


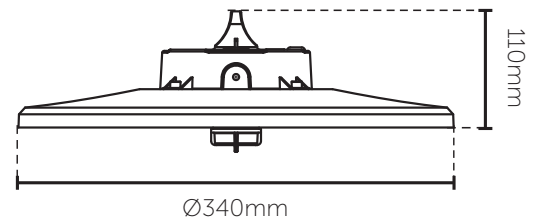


1 - Open the cap and change the power setting by placing the DIP-switch according to the power settings table.



Power settings			
	1	2	3
77W	OFF	OFF	OFF
96W	ON	OFF	OFF
111W	OFF	ON	OFF
132W	ON	ON	OFF
150W	ON	ON	ON

DIMENSIONS

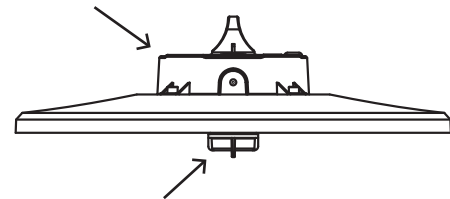


ACCESSORIES

HiFIVE P340 DALI DRIVER

Change the NON-DIM driver to DALI driver.

1. Remove the screws.
2. Unplug the quick connectors and change the driver.
3. Attach with screws, Plug and play!



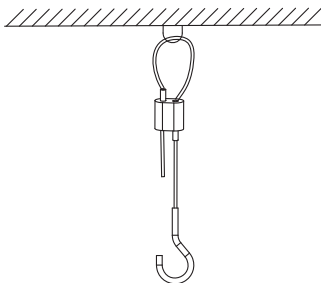
HiFIVE P340 MOTION SENSOR MW/PIR

1. Remove cap.
2. Insert Motion sensor module.
3. Use the remote to find your preferred setting. Check remote manual for further instructions.

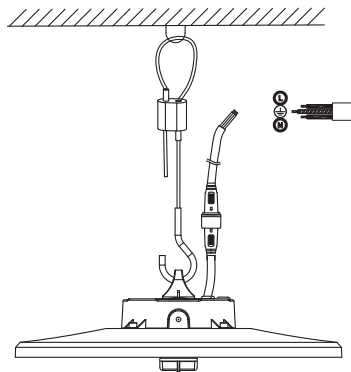
POWER SETTINGS

Power	77W	96W	111W	132W	150W
Lumen	14000lm	17000lm	19500lm	23000lm	25500lm

2 - Install suspension kit



3 - Wiring



Note! Please follow these instructions carefully and keep it for future reference. This luminaire must be installed by a licensed electrician. Make sure the power is disconnected before performing installation or maintenance.



NB! Vennligst følg denne bruksanvisningen nøye og oppbevar den for fremtidig referanse. Denne armaturen skal kun installeres av en autorisert elektriker. Sørg for at strømmen er frakoblet før du skal utføre installasjon eller vedlikehold.

Color	Kelvin	Power	Lumen	CRI	Beam angle	El-no.
Grey - RAL7024	4000K	77/96/111/132/150W	14000/17000/19500/23000/25500	80	90°	32 013 13
Accessories						Art-no.
HiFIVE P340 DALI DRIVER						32 013 11
HiFIVE P340 MOTION SENSOR MW/PIR						32 013 12
HiFIVE SENSOR REMOTE						Q9TD6
HiFIVE WALL BRACKET						QB1JT
HiFIVE GLARE SHIELD						QB1JU

