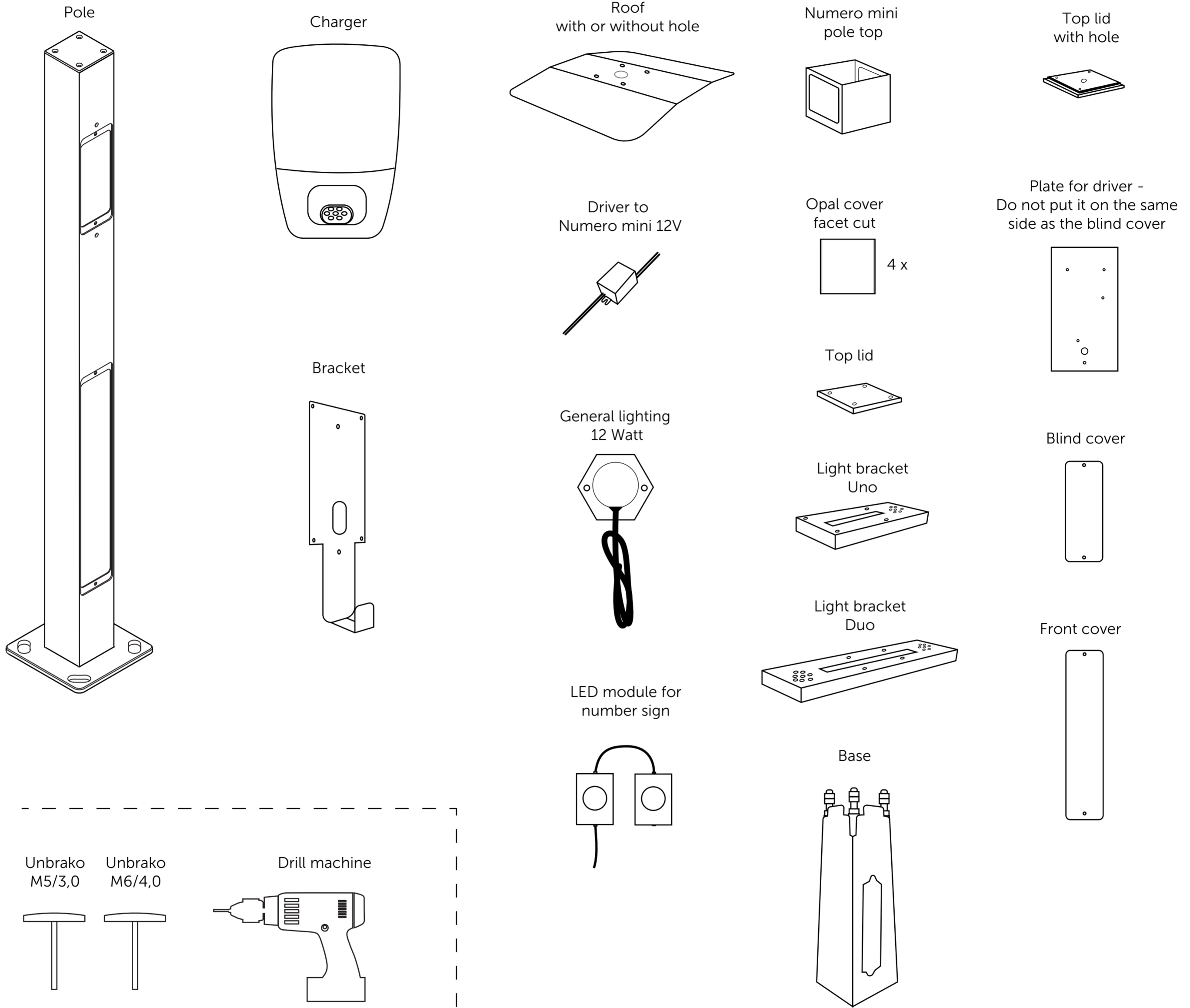
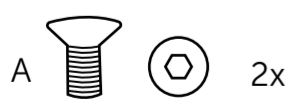


Onepole®

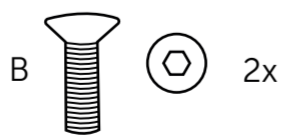
Assembly instructions



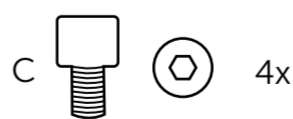
Screws for blind cover
M 5 X 10



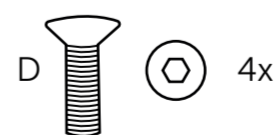
Screws for bracket
M 6 X 16



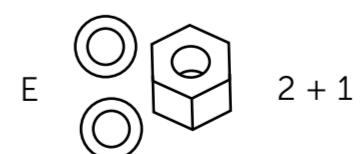
Screws for charger
M 5 X 8



Screws for roof
M 6 X 20



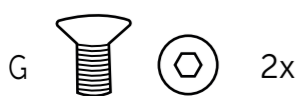
Grounding



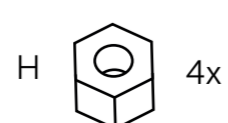
Screws for front cover
M 5 X 10



Screws for General lighting
M 4 X 8



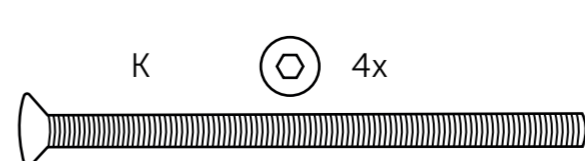
Mounting nuts for light bracket
Ø 10mm



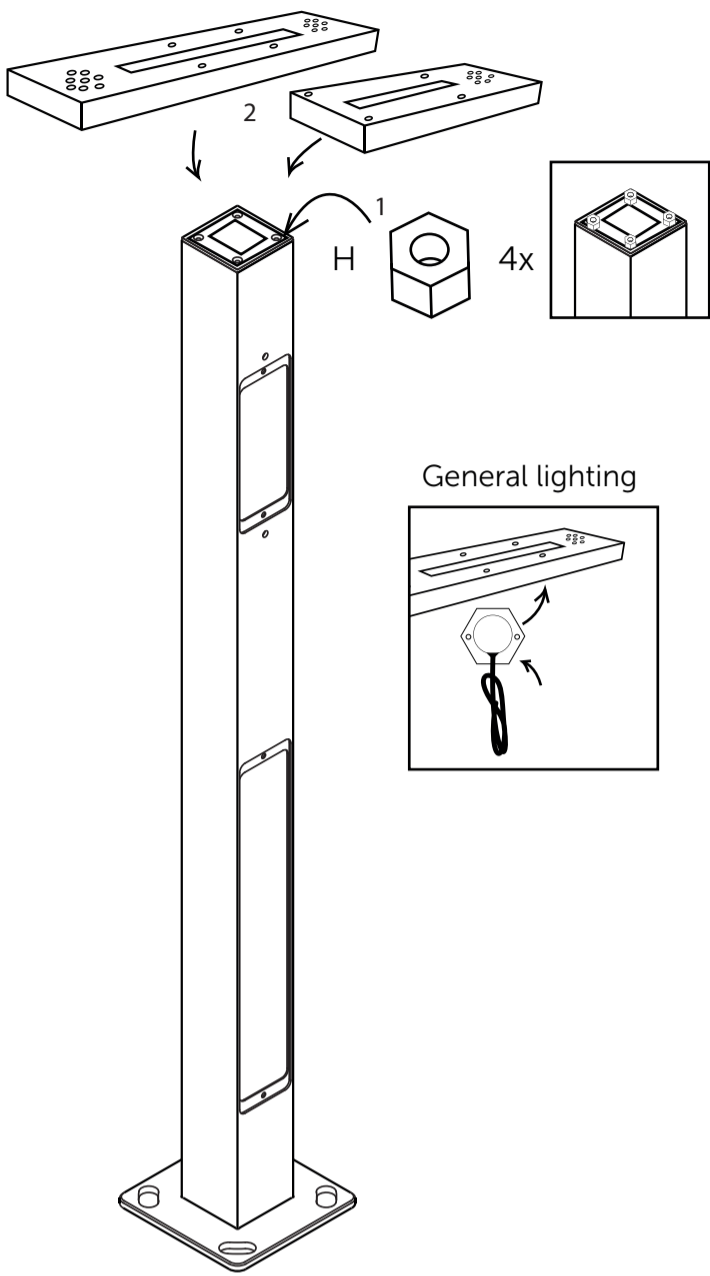
Screws for driver plate
M 5 X 10



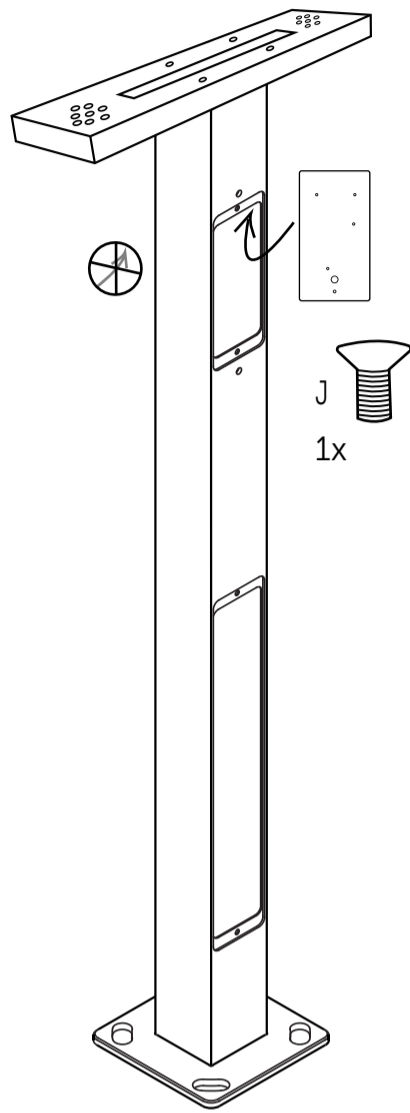
Screws for Numero mini Pole top
M 6 X 140



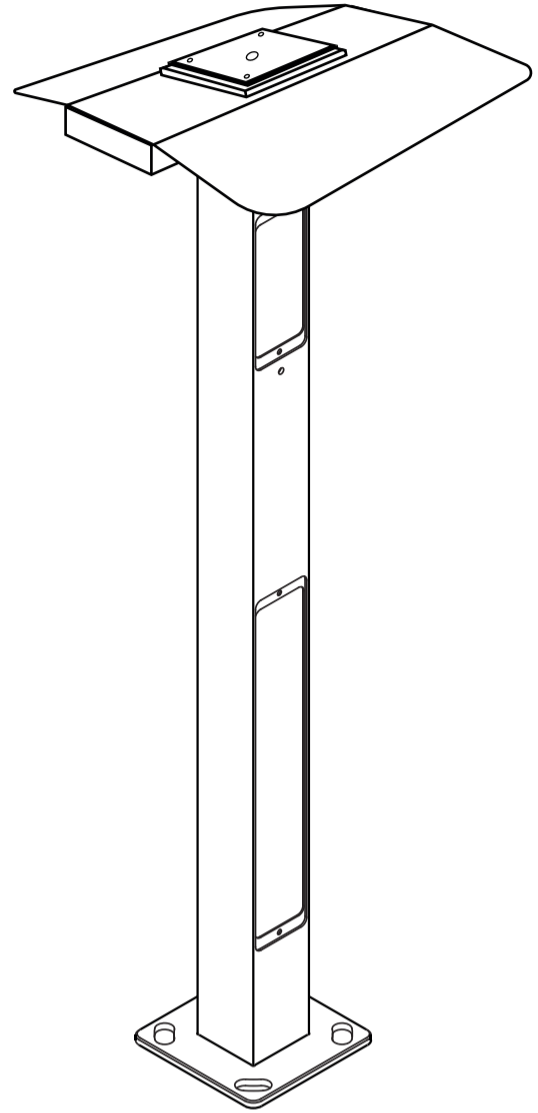
1



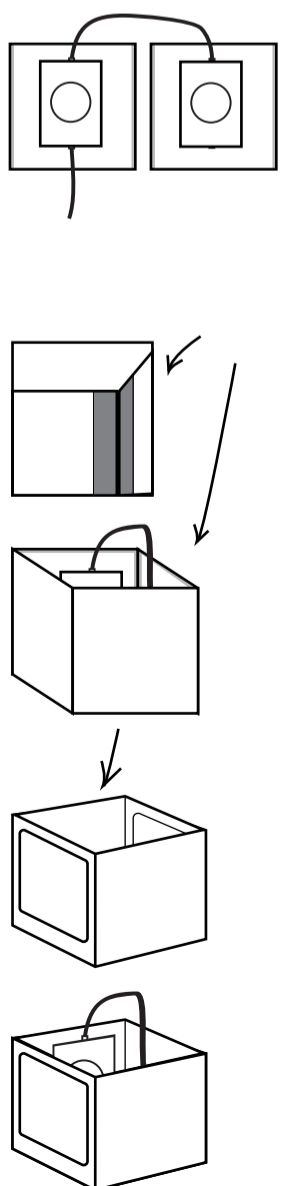
2



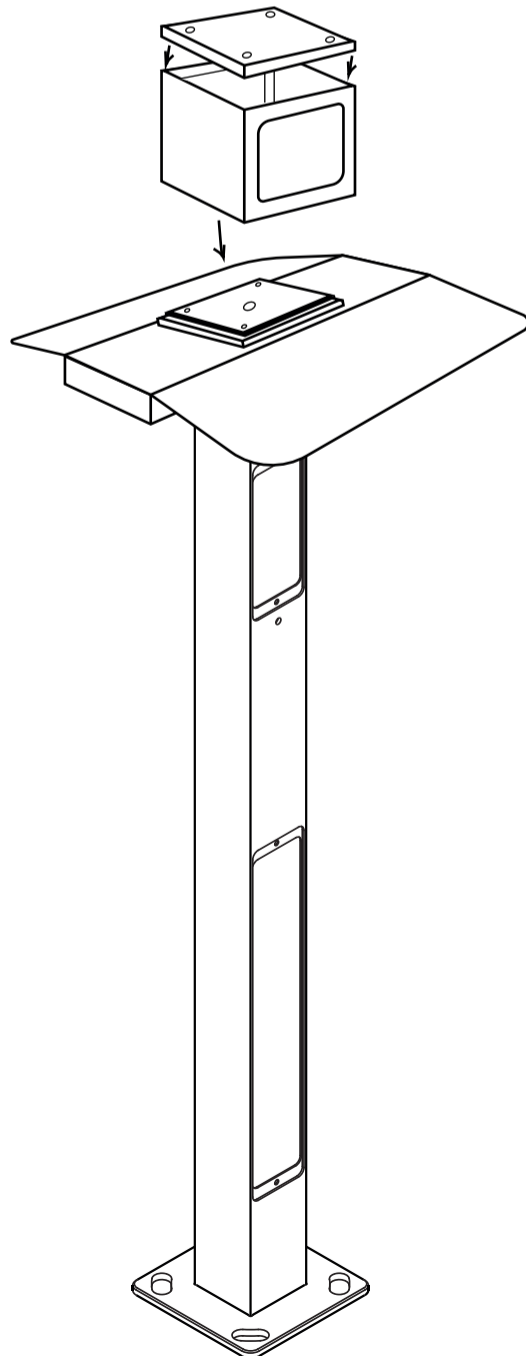
3



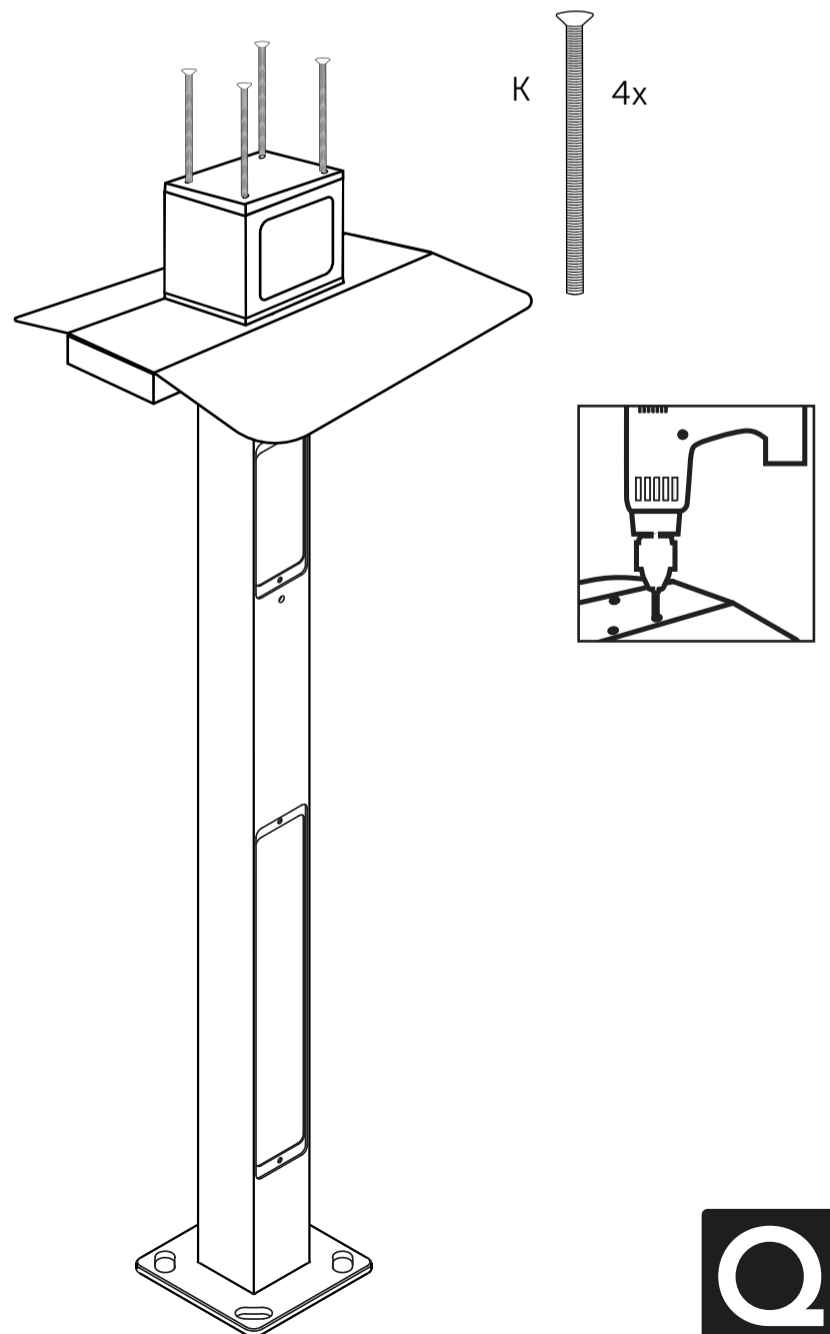
4



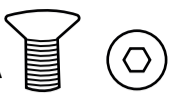
5

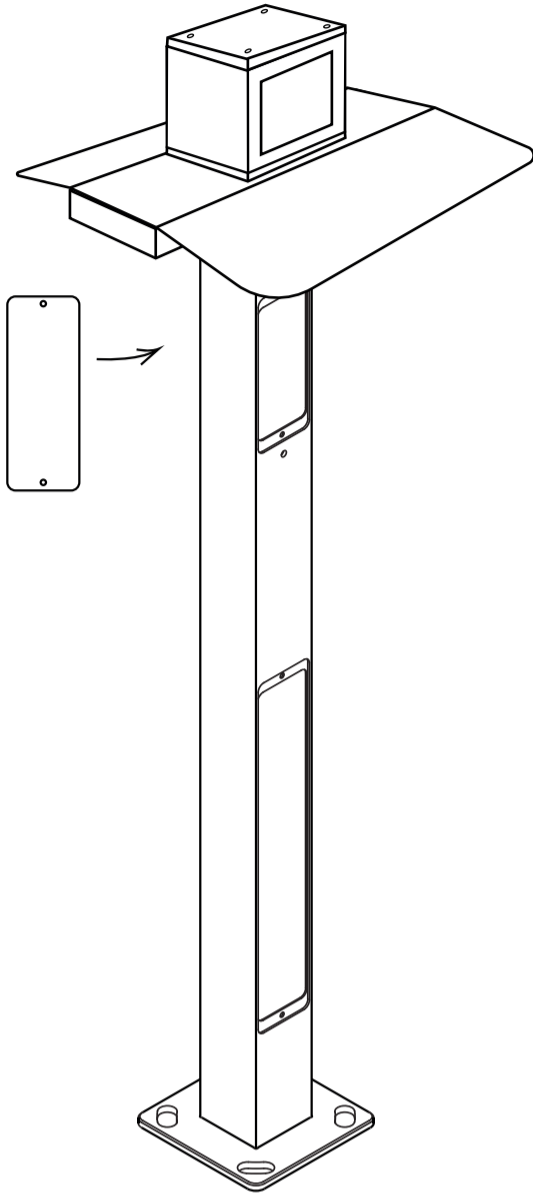


6



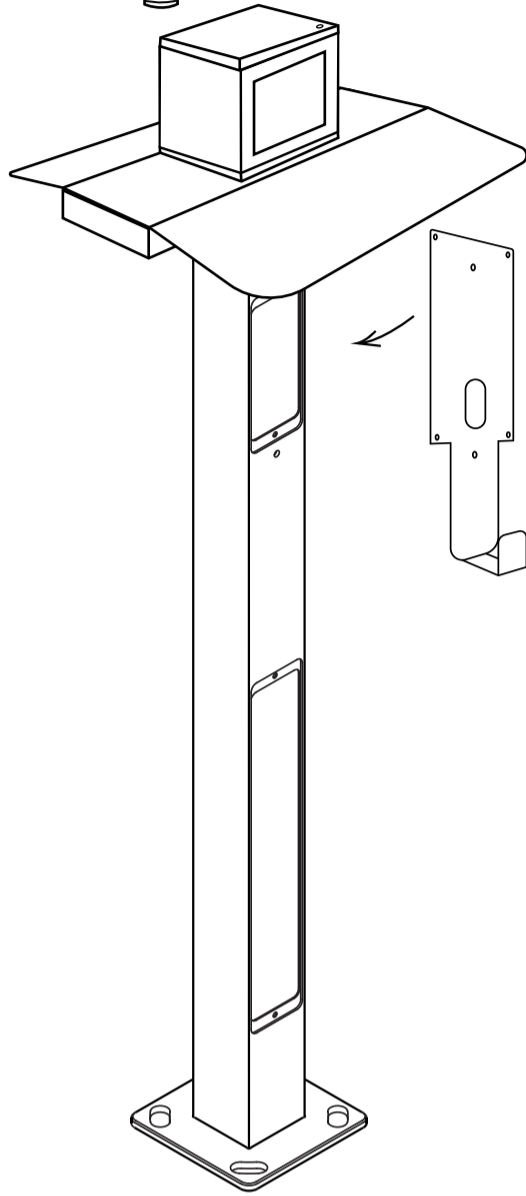
7

A  2x

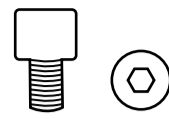


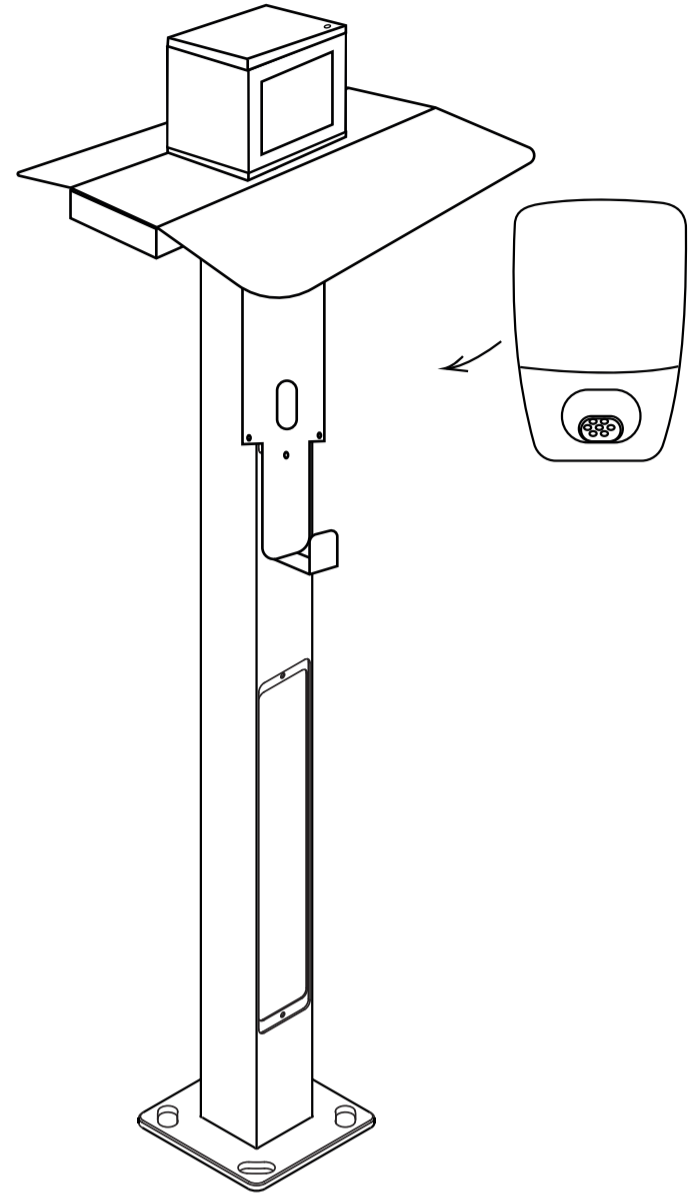
8

B  2x

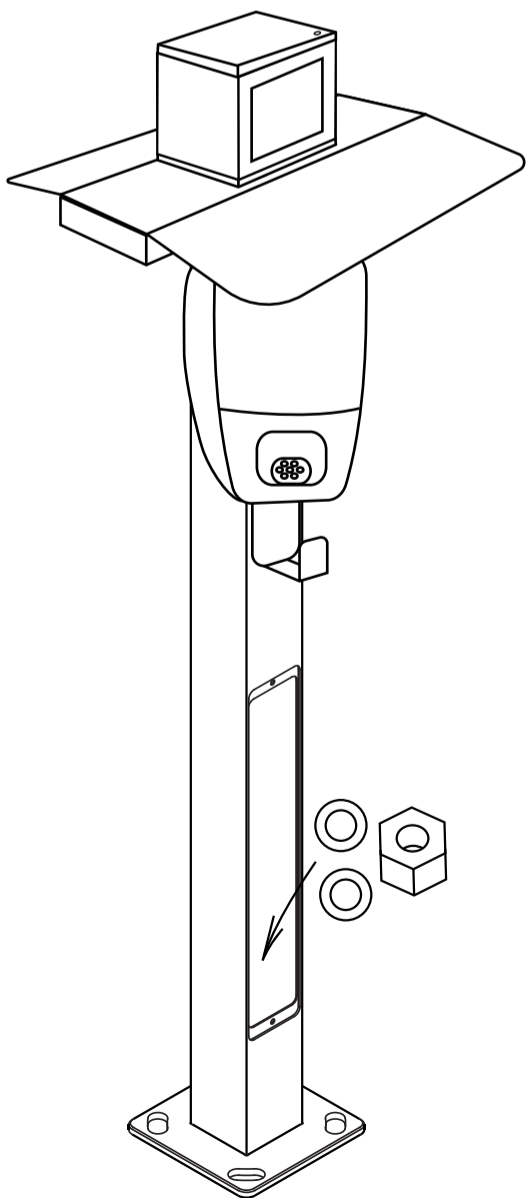


9

C  4x

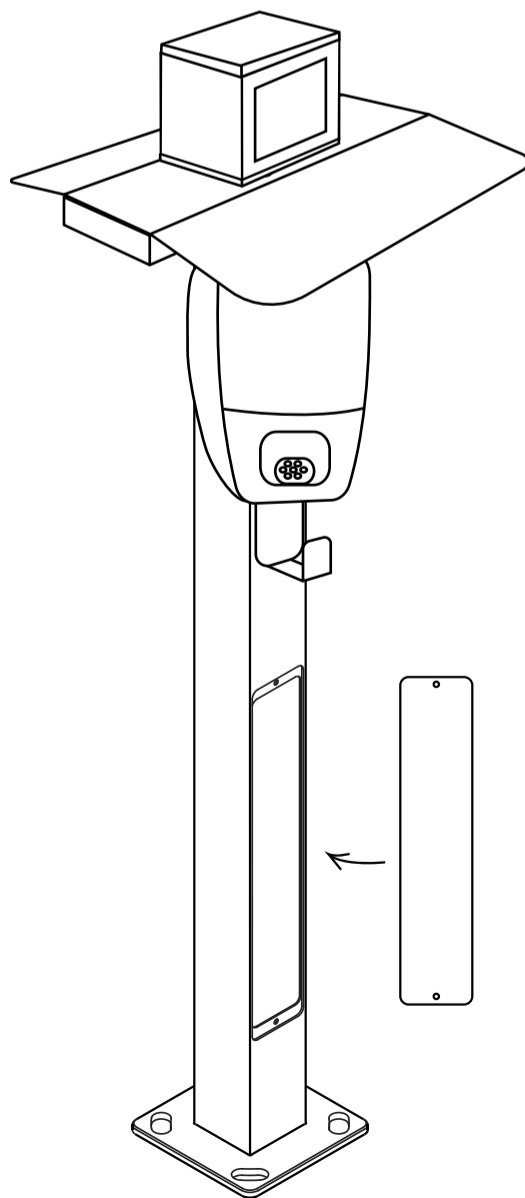


10



11

F  2x



12

